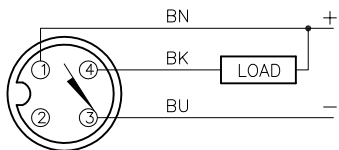
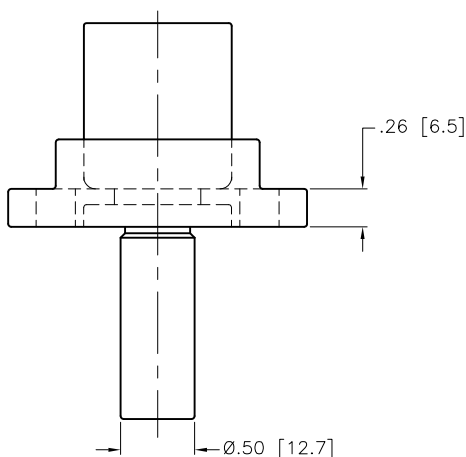
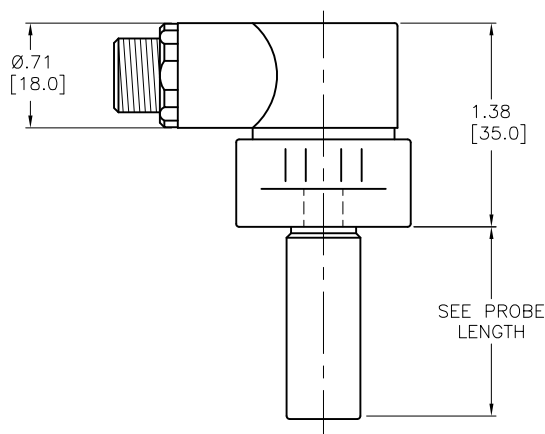
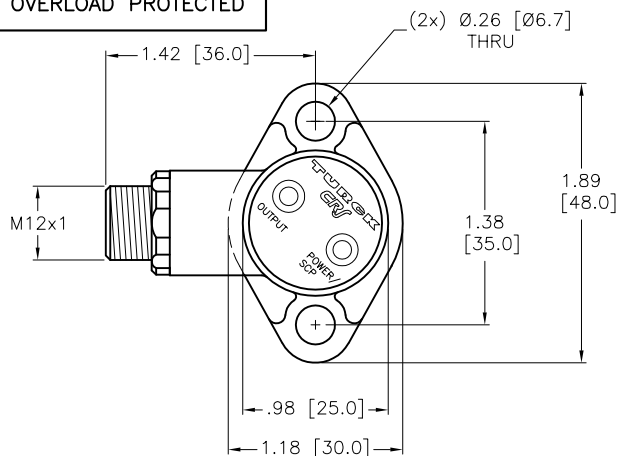


WIRING DIAGRAM



OUTPUT: AN4X2

SHORT-CIRCUIT AND OVERLOAD PROTECTED



SPECIFICATIONS

RATED OPERATING DISTANCE	2mm = .079" (NOMINAL)
MOUNTING MODE	FLUSH
HYSTERESIS	3-15%
RESIDUAL RIPPLE	≤ 10%
MAX. RELATIVE TEMPERATURE DRIFT	≤ 10%
MIN. REPEAT ACCURACY	≤ 2%
OPERATION TEMPERATURE	-25°C to +70°C (-13°F to +158°F)
OPERATING VOLTAGE	10-65 VDC
RATED OPERATIONAL CURRENT (DC)	200 mA
RESIDUAL CURRENT	< 10 mA
NO-LOAD CURRENT	< 7.5 mA @ 24 VDC < 10.0 mA @ 65 VDC
OUTPUT FUNCTION	NORMALLY OPEN, 3-WIRE, NPN
MAX. VOLTAGE DROP	< 1.8 V at 200 mA
SHORT-CIRCUIT PROTECTION	YES
REVERSE POLARITY PROTECTION	INCORPORATED
WIRE-BREAK PROTECTION	INCORPORATED
DEGREE OF PROTECTION	IP 67
VIBRATION RESISTANCE	55 Hz (1mm)
SHOCK RESISTANCE	30 x g (11 ms)
SWITCHING FREQUENCY	30 Hz MAX.
OPERATING PRESSURE	1500 PSI
LED FUNCTION	YELLOW: OUTPUT ENERGIZED GREEN: POWER ON

NOTES:

1 "/S34" DESIGNATES WELD FIELD IMMUNITY. SENSOR IS SUITABLE FOR USE ON RESISTANCE WELDING MACHINES.

2. ROTATION CAPABILITY OF THE CRS SWITCH IS 360°.

SOURCE DRAWING - FOR REFERENCE ONLY

RELATED DOCUMENTS 1. 2. 3. 4.	3RD ANGLE PROJECTION 	THIS DRAWING IS CONFIDENTIAL AND THE PROPERTY OF TURCK INC. USE OF THIS DOCUMENT WITHOUT WRITTEN PERMISSION IS PROHIBITED.		3000 CAMPUS DRIVE MINNEAPOLIS, MN 55441 1-800-544-7769 (763) 553-7300 (763) 553-0708 fax www.turck.us	
		MATERIAL	DRFT RDS APVD A.F.	DATE 05/19/15 SCALE 1=1.3	DESCRIPTION B12-CRS603-AN4X2-H1141/S34
FINISH BLACK ZINC	ALL DIMENSIONS DISPLAYED ON THIS DRAWING ARE FOR REFERENCE ONLY CONTACT TURCK FOR MORE INFORMATION	UNIT OF MEASUREMENT INCH [MILLIMETER]		IDENTIFICATION NO. 4580097	REV B
DO NOT SCALE THIS DRAWING		FILE: 4580097		SHEET 1 OF 1	

TURCK

B	UPDATE ID NUMBER PER HARMONIZATION PROJECT	CBM	11/06/17	
REV	DESCRIPTION	BY	DATE	ECO NO.